

Fig. 1

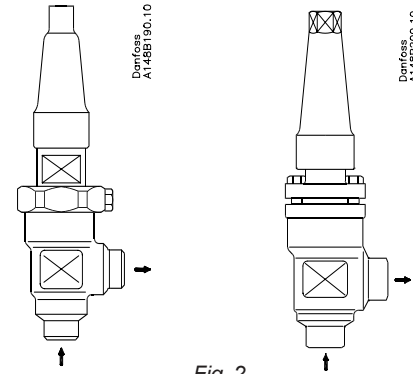


Fig. 2

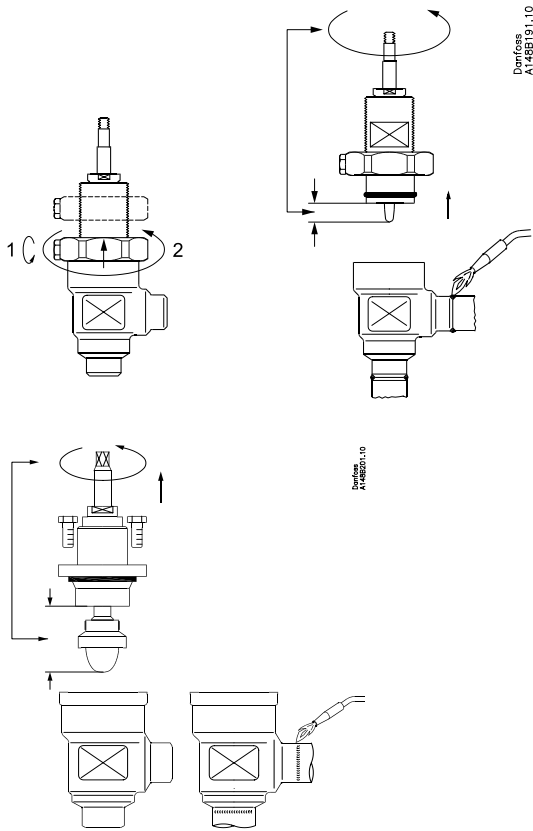


Fig. 3

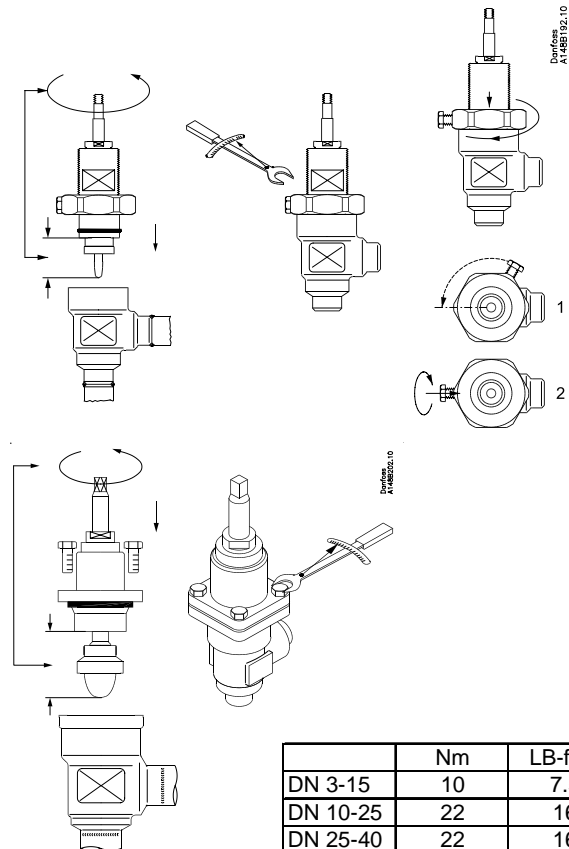


Fig. 4

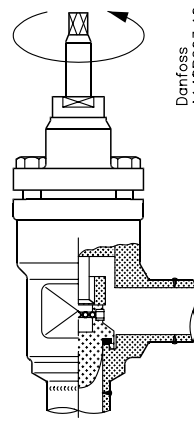
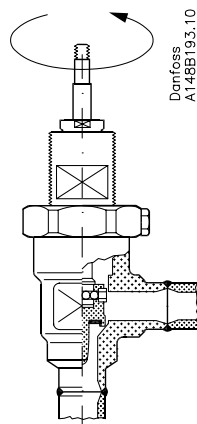


Fig. 5

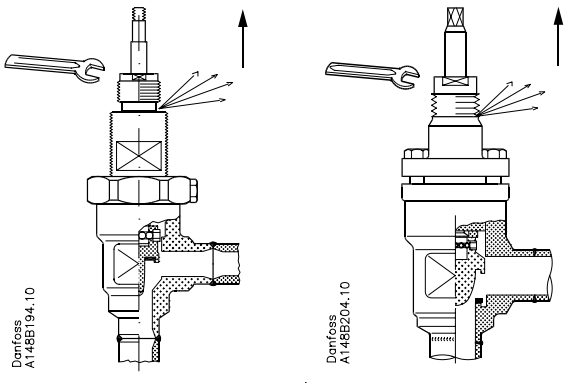


Fig. 6

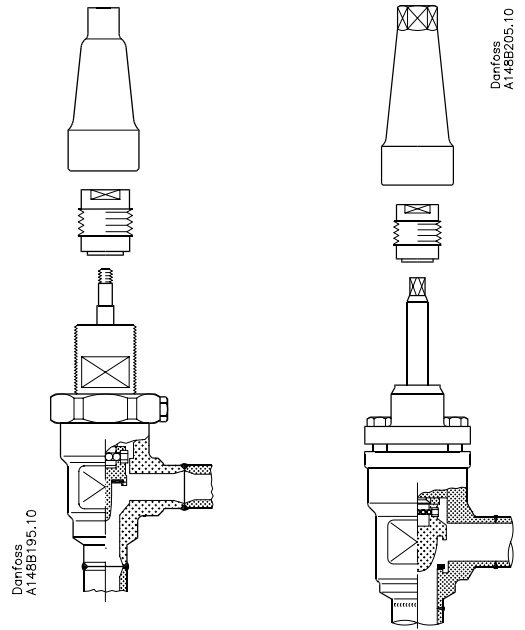
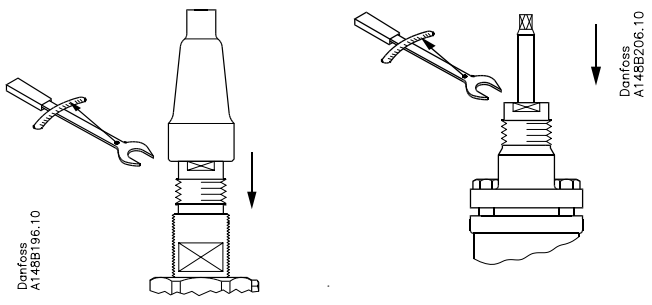


Fig. 7



	Nm	LB-feet
DN 3-15	30	22
DN 10-25	50	37
DN 25-40	70	52

Fig. 8

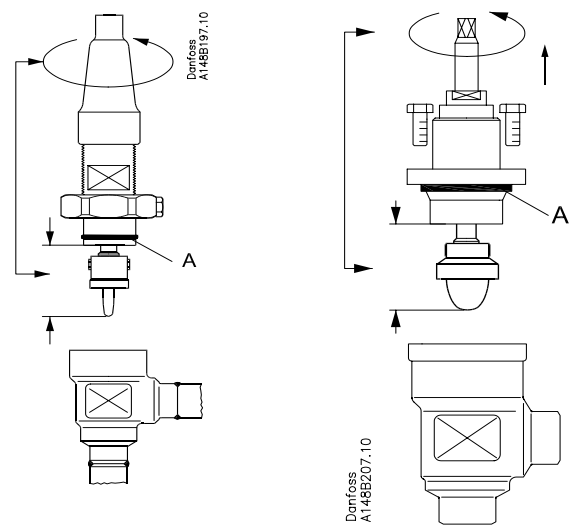


Fig. 9

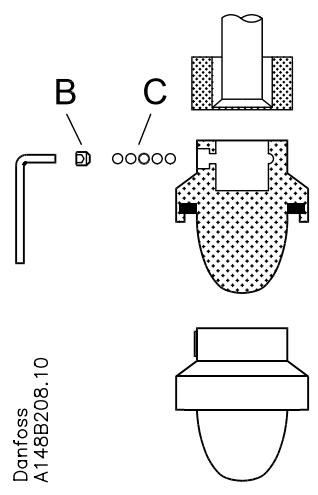


Fig. 10

DECLARATION OF CONFORMITY
The Pressure Equipment Directive 97/23/EC



Name and Address of Manufacturer within the European Community

Danfoss Industrial Refrigeration A/S
Stormosevej 10
PO Box 60
DK-8361 Hasselager
Denmark

Description of Pressure Equipment

Refrigerant stop valve, with straight or angled bonnet arrangement

Type REG

Nominal bore	DN27-40 mm. (1 ¹ / ₈ - 1 ¹ / ₂ in.)	
Classified for	Fluid Group I (all refrigerants (toxic, nontoxic, flammable and nonflammable)). For further details / restrictions - see Installation Instruction.	
Temperature range	REG	-50°C/+150°C (-58°F/+302°F)
Maximum allowable working pressure	REG	25 bar (365 psi)

Conformity and Assessment Procedure Followed

Category	I
Module	A

References of Harmonised Standards used

EN 10222-4

References of other Technical Standards and Specifications used

prEN 12284

DIN 3158

AD-Merkblätter

Authorised Person for the Manufacturer within the European Community

Name: Morten Steen Hansen

Title: Production Manager

Signature: Morten Steen Hansen

Date: 01/11/2001